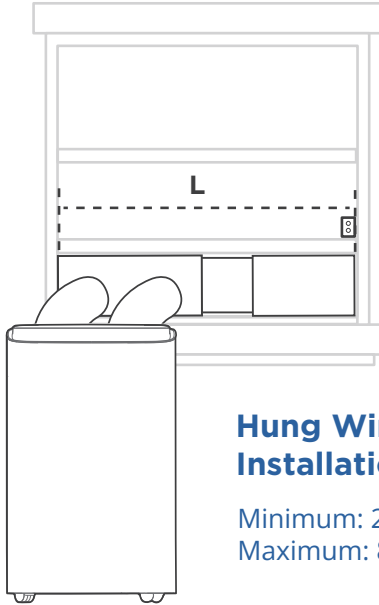




ARC-1280WX (White) ARC-1280MX (Black) Quick Installation Guide



I. WINDOW KIT PLACEMENT CHECK



Hung Window Installation Width

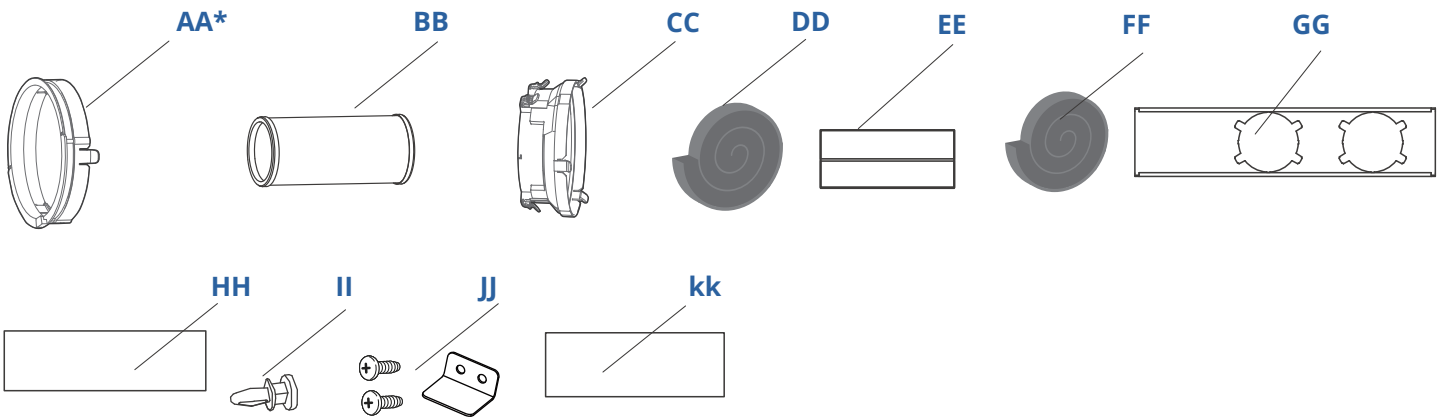
Minimum: 28.7"
Maximum: 82"



Sliding Window Installation Height

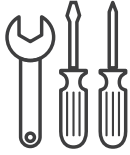
Minimum: 28.7"
Maximum: 82"

II. ACCESSORIES CHECK



Part	Name of Accessories	Qty.	Part	Name of Accessories	Qty.
AA*	Unit Adaptor (Depending on model)	1 pc	GG	Window Slider A	1 pc
BB	Exhaust Hose	2 pc	HH	Window Slider B	1 pc
CC	Window Slider Adaptor	2 pc	II	Bolt	2 pc
DD	Foam Seal A (Adhesive)	4 pc	JJ	Security Bracket and 2 Screws	1 set
EE	Foam Seal B (Adhesive)	2 pc	KK	Window Slider C	1 pc
FF	Foam Seal C (Non-adhesive)	2 pc			

III. INSTALLATION TOOLS (NOT INCLUDED)



Screwdriver & Wrench



Pencil



A Tape Measure

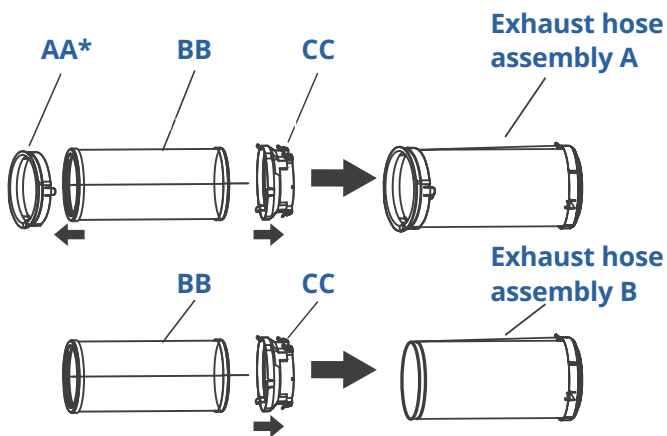


Scissors or Knife

IV. INSTALLATION

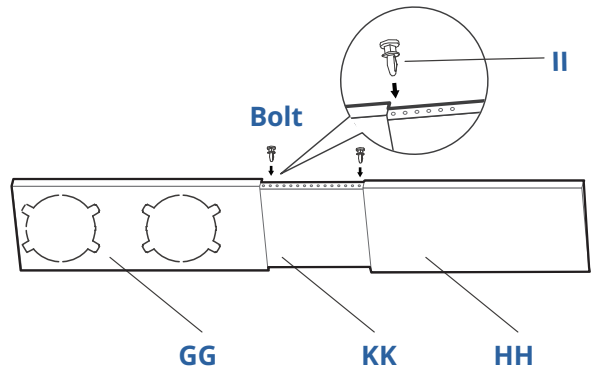
1 The Exhaust Hose assembly installation

Press the exhaust hose (BB) (or extended exhaust hose) into the window slider adaptor (CC) and unit adaptor (AA), clamp automatically by elastic buckles of the adaptors.



2 Preparing the Adjustable Window Slider

1. Choose the window sliders according to the size of your window. Sometimes, it needs to be cut short to meet the window size, please take extra care to cut it properly.
2. Use bolts (II) to fasten the window slide (GG, HH and KK) once they are adjusted to the proper length.

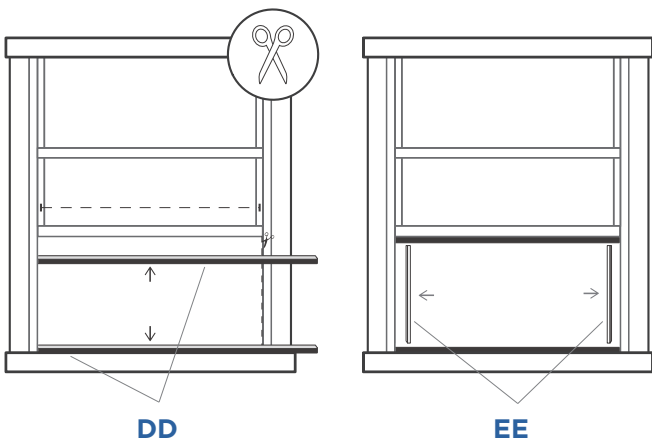


NOTE: Please base your window slider installation on the accessories in your kit and the width of your window.

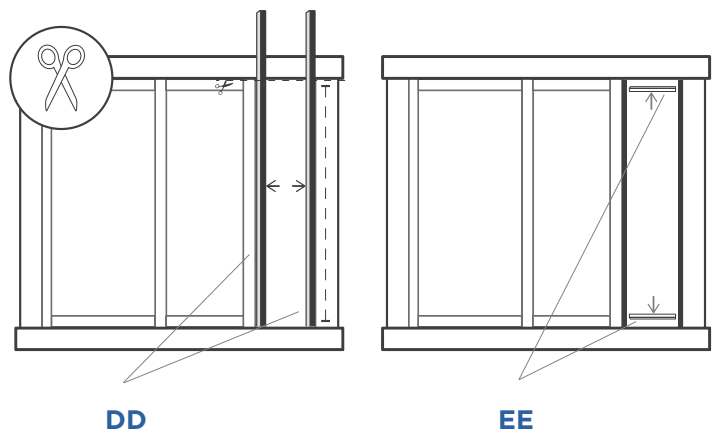
3 Complete sealing of window

Cut the adhesive foam seal A (DD) and B (EE) strips to the proper lengths, and attach them to the window

3.1: Hung Window Installation

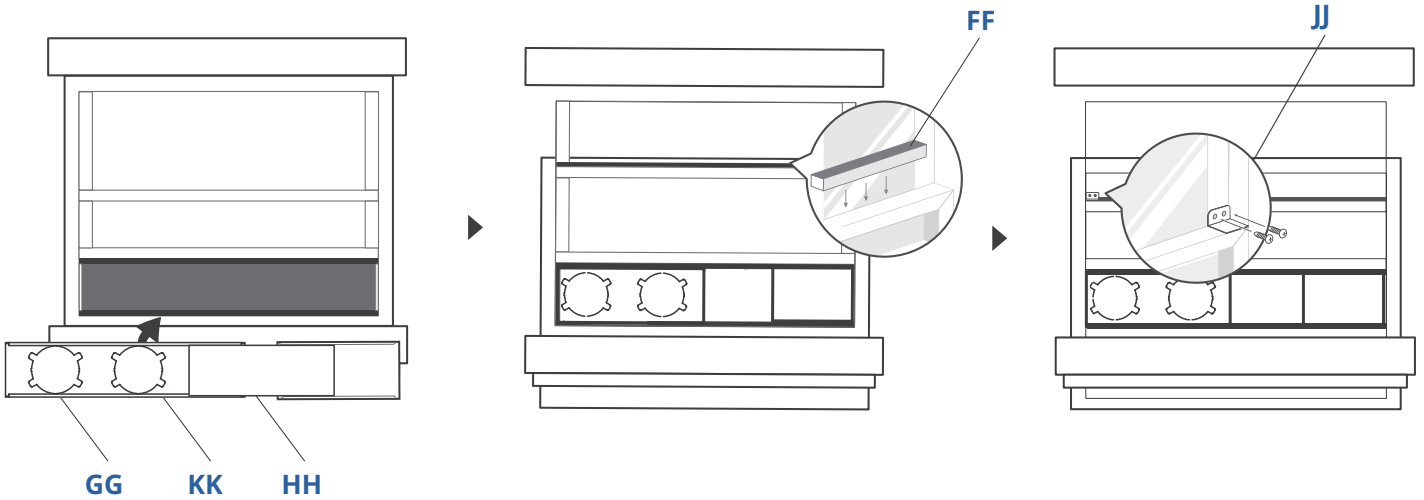


3.2: Sliding Window Installation



4 Window Kit Installation

4.1: Hung Window Installation



Step 1

Insert the window slider (GG, HH and KK) assembly into the window opening.

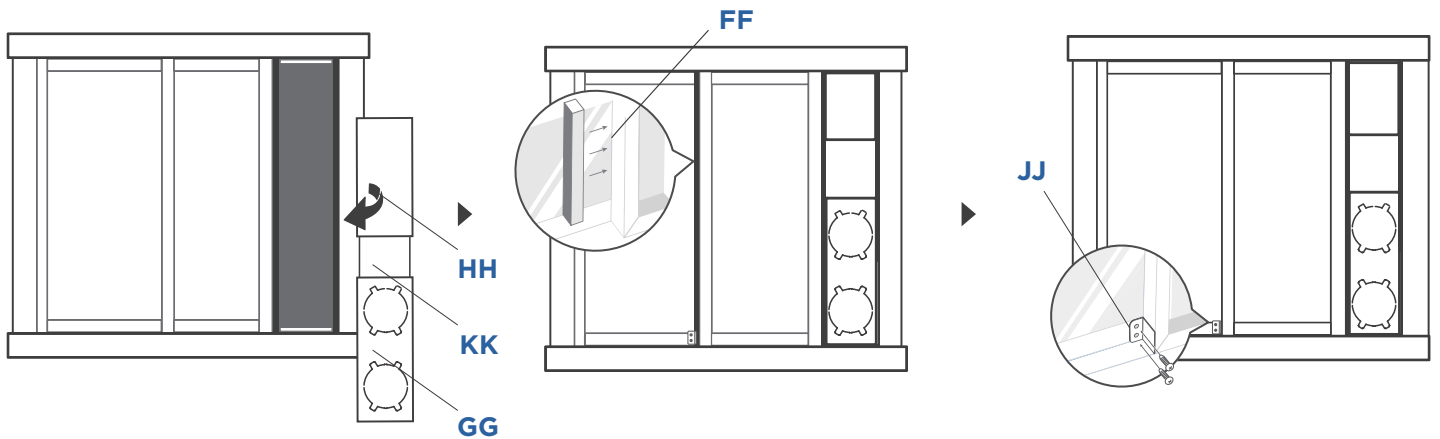
Step 2

Cut the non-adhesive foam seal C (FF) strip to match the width of the window. Insert the seal between the glass and the window frame to prevent air and insects from getting into the room.

Step 3

If desired, install the security bracket (JJ) with 2 screws as shown.

4.2: Sliding Window Installation



Step 1

Insert the window slider (GG, HH and KK) assembly into the window opening.

Step 2

Cut the non-adhesive foam seal C (FF) strip to match the height of the window. Insert the seal between the glass and the window frame to prevent air and insects from getting into the room.

Step 3

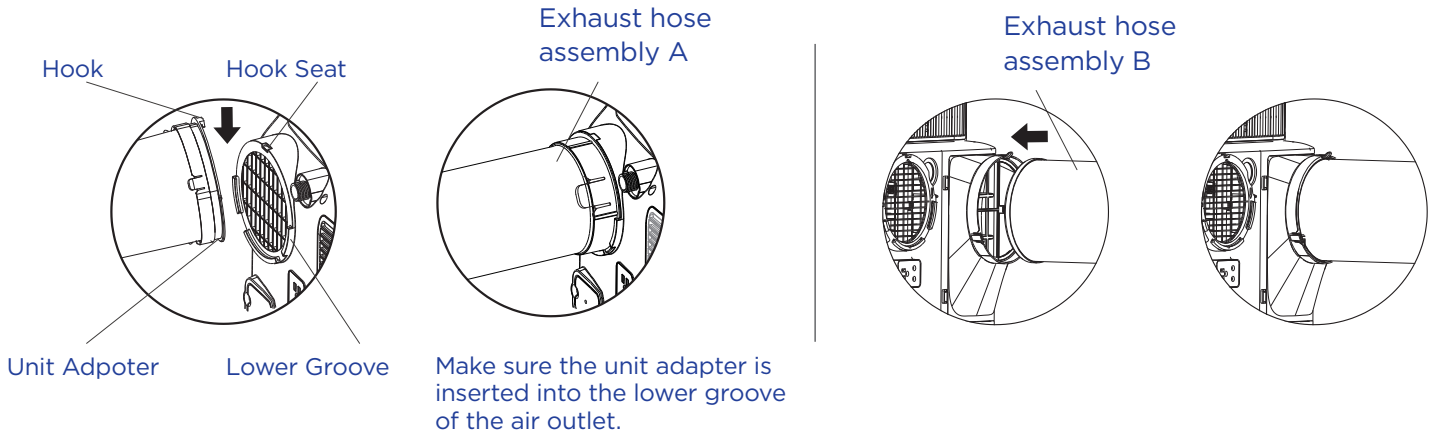
If desired, install the security bracket (JJ) with 2 screws as shown.



Once the Exhaust Hose assembly and Adjustable Window Slider are prepared, choose from one of the following two installation methods.

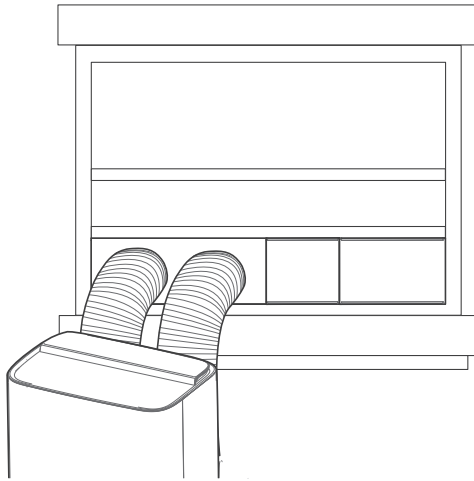
5 INSTALL THE EXHAUST HOSE ASSEMBLY TO THE UNIT

Push the Exhaust hose into the air outlet opening of the unit along the arrow direction.

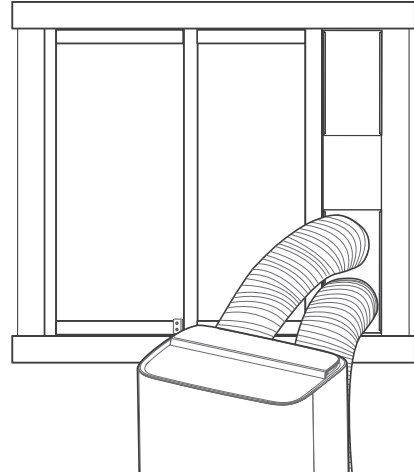


6 CONNECT THE ADAPTOR TO THE WINDOW SLIDER

Insert the window slider adaptor into the hole of the window slider.



Hung Window Installation

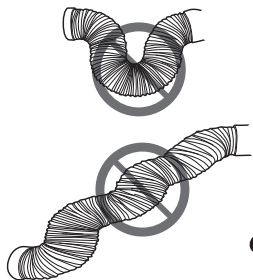


Sliding Window Installation

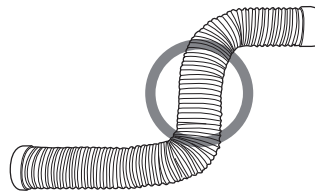


To ensure proper operation, DO NOT overextend or bend the exhaust hose. Make sure there are no obstructions within 20" of the air vents so the exhaust system can function properly. All illustrations in this manual are provided for reference only. Your air conditioner may vary slightly in appearance. The actual product configuration and shape will prevail.

INCORRECT



CORRECT



Need Help Fast?
Chat with Us!
Get instant answers 24/7



WhynterLLC



JOIN THE
CONVERSATION

